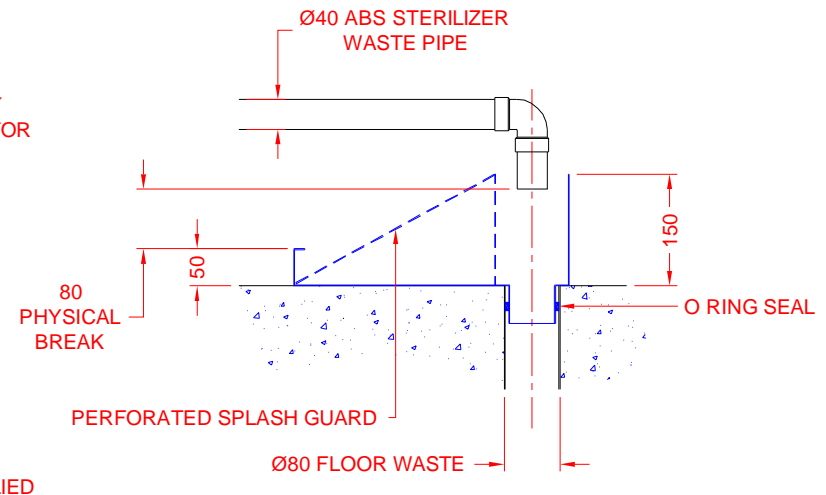


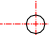



**PLAN VIEW**



**TYPICAL FLOOR WASTE & TUNDISH DETAIL**  
NOTE! TUNDISH SUPPLIED BY ATHERTON

**SERVICE REQUIREMENTS BY OTHERS**

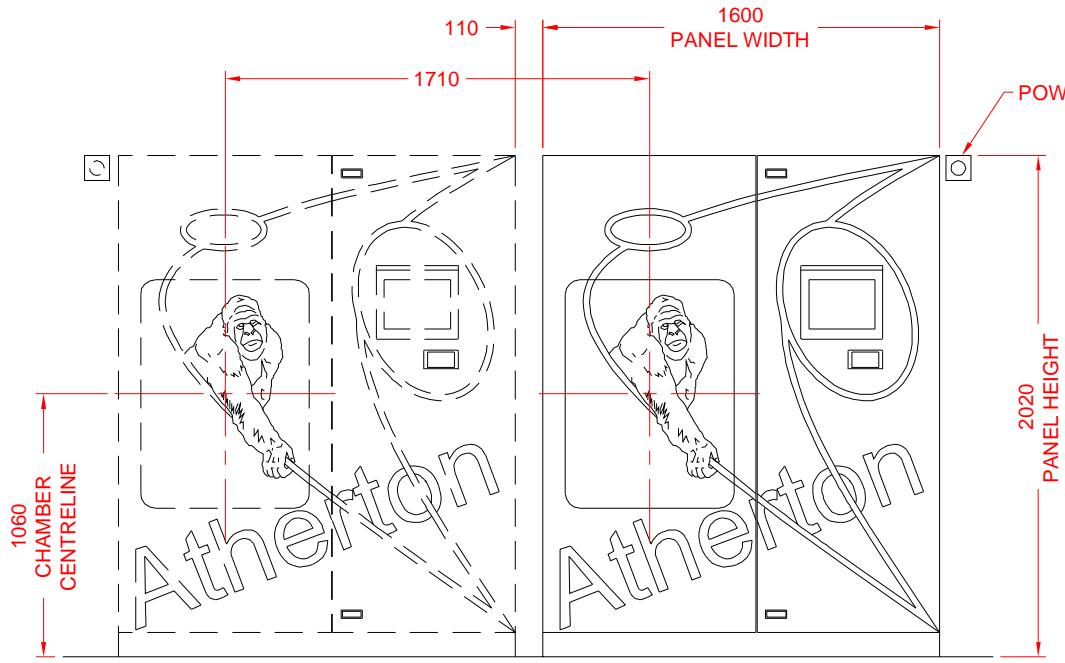
- 
**STEAM** - SUPPLY TO BE BETWEEN 400 & 600 KPA AT 0.97 DRYNESS FACTOR, CHLORIDE FREE COMPLETE WITH 20MM ISOLATING VALVE. AVERAGE STEAM CONSUMPTION IS APPROXIMATELY 80 KG/HR WITH A MAXIMUM CONSUMPTION OF 135 KG/HR FOR 3 MINUTES PER CYCLE.
- 
**COLD WATER** SUPPLY TO BE CONSTANTLY BETWEEN 200 & 500 KPA, MAXIMUM TEMPERATURE 25°C, TREATED IF OVER 2 PPM ( 0.02 MMOL/L) HARDNESS, CHLORIDE FREE, COMPLETE WITH 20MM ISOLATING VALVE & BACK FLOW PREVENTION TO AS 3500.1. AVERAGE WATER CONSUMPTION IS APPROXIMATELY 18 LITRES/MIN WITH A MAXIMUM OF 22 LITRES/MIN FOR 3 MINUTES PER CYCLE.
- 
**WASTE** - Ø80MM TO SEWER IN COMPLIANCE WITH AS 3500.2. AVERAGE WASTE OUTLET TEMPERATURE 50°C WITH A MAXIMUM OF 100°C SHORT TERM. ATHERTON SUPPLIED TUNDISH TO BE LOCATED OVER WASTE POINT. Ø40 STERILIZER DISCHARGE ABS PIPE MUST DISCHARGE INTO TUNDISH WITH 80MM PHYSICAL AIR BREAK.
- 
**POWER** - TO AS 3000. 3 PHASE, NEUTRAL & EARTH, 32 AMPS PER PHASE. ATHERTON RECOMMENDS "CLIPSAL 56SO532" 5 PIN OUTLET & "CLIPSAL 56SW332" SWITCH.

**VENTILATION** - ATHERTON RECOMMENDS VENTILATION OF THE STERILIZER ROOM FOR THE REMOVAL OF HEAT.

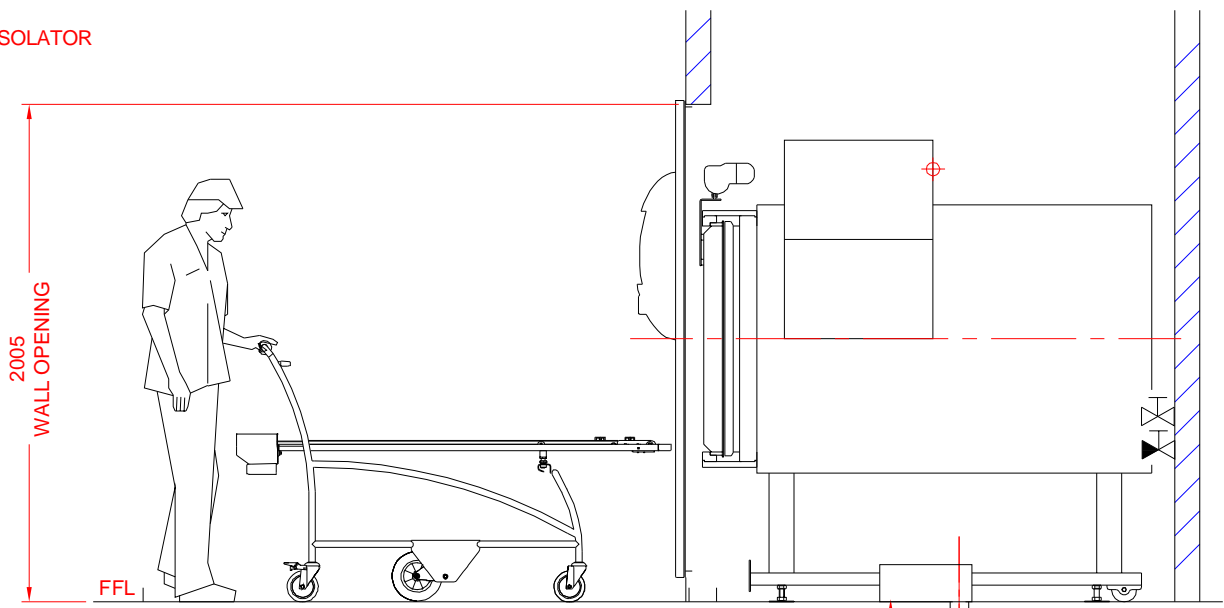
**FLOOR WASTE** - ATHERTON RECOMMENDS THE INSTALLATION OF A CORRECTLY DRAINED FLOOR WASTE TO HELP REDUCE POTENTIAL DAMAGE IN CASE OF A MAJOR STEAM OR WATER LEAK.

**PRODUCT CODE & SPECIFICATIONS**  
 TSB9615 - TANGENT SERIES GORILLA, RETICULATED STEAM, BUILT IN STERILIZER. CHAMBER DIMENSION : 900 x 660 x 1620MM DEEP.  
 HEAT LOSS FRONT OF WALL AT 21°C : 1450 WATTS.  
 HEAT LOSS BACK OF WALL AT 21°C : 3400 WATTS.  
 OPERATING WEIGHT ( CHAMBER FILLED WITH WATER ) : 2050 KG  
 PACKED WEIGHT : 1600 KG  
 STRIP DOWN SIZE : 820 WIDE x 1700 HIGH x 1970MM LONG.

**GENERAL NOTES**  
 ALL DIMENSIONS ARE IN MM.  
 GENERAL TOLERANCE ON BUILDING ±5MM.  
 ALL SERVICE SPECIFICATIONS ARE DYNAMIC.  
 SERVICES AND BUILDING REQUIREMENTS ARE TO BE SUPPLIED BY THE CLIENT UNLESS OTHERWISE SPECIFIED.



**FRONT ELEVATION**



**SIDE ELEVATION**

**Atherton**  
 STERILIZER INSTALLATION DETAILS  
 TSB9615 TANGENT SERIES GORILLA STERILIZER

**CLIENT APPROVAL**

PROJECT.....  
 APPROVED BY  
 (PRINT NAME).....  
 SIGNED..... DATE.....

**SPECIAL REQUIREMENTS**

IF DRAWING IS NOT RETURNED WITHIN 30 DAYS, ATHERTON WILL ASSUME THAT ALL SERVICES & SPACE REQUIREMENTS HAVE BEEN PROVIDED. ATHERTON TAKES NO RESPONSIBILITY FOR DELAYS, COSTS OR DAMAGE TO EQUIPMENT IF PURCHASER DOES NOT SUPPLY SERVICES AS DETAILED IN THIS DOCUMENT AND WARRANTY COVER MAY BE VOID.

<b>DRAWN</b> P.L.G.	<b>DATE</b> 09/11/2011	<b>APPROVED</b>
<b>DOCUMENT NO.</b> <b>025211</b>	<b>REV NO.</b> <b>2</b>	<b>R.OLIVER</b> <b>DATE</b> 14/11/2011
<b>SHEET SIZE</b> A3	<b>SCALE</b> 1:30	