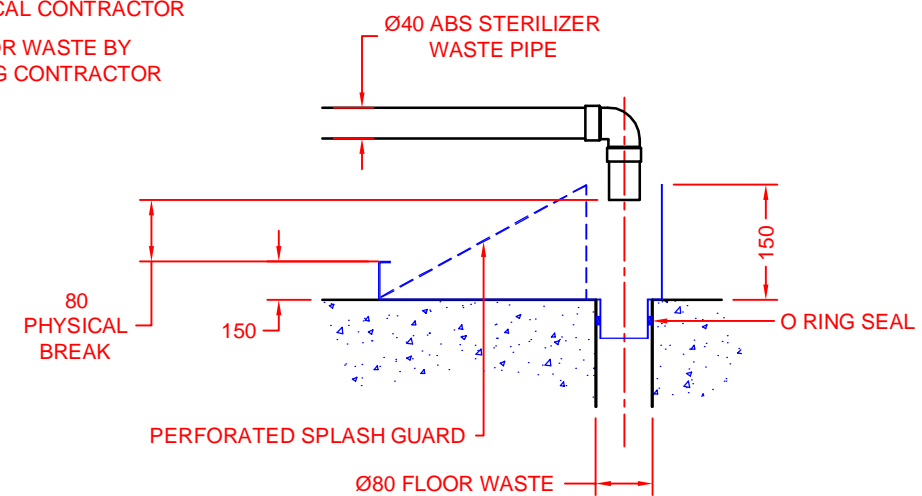


PLAN VIEW



TYPICAL FLOOR WASTE & TUNDISH DETAIL  
NOTE! TUNDISH SUPPLIED BY ATHERTON

SERVICE REQUIREMENTS BY OTHERS

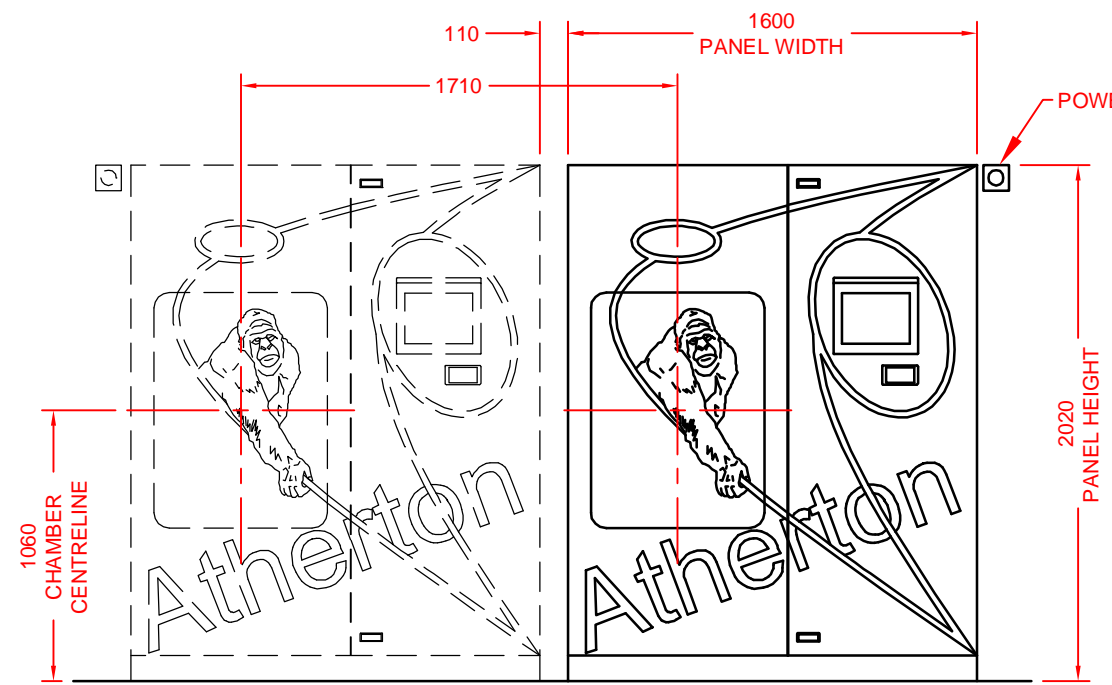
- COLD WATER - SUPPLY TO BE CONSTANTLY BETWEEN 200 & 500 KPA, MAXIMUM TEMPERATURE 25°C, TREATED IF OVER 2 PPM ( 0.02 MMOL/L) HARDNESS, CHLORIDE FREE, COMPLETE WITH 20MM ISOLATING VALVE & BACK FLOW PREVENTION TO AS 3500.1. AVERAGE WATER CONSUMPTION IS APPROXIMATELY 18 LITRES/MIN WITH A MAXIMUM OF 22 LITRES/MIN FOR 3 MINUTES PER CYCLE.
- TREATED WATER - WHERE WATER QUALITY DOES NOT MEET AS 1410 TABLE B1, TREATED WATER MUST BE SUPPLIED, COMPLETE WITH 15MM ISOLATING VALVE & BACK FLOW PREVENTION TO AS 3500.1. INITIAL FILL REQUIREMENTS: 28 LITRES. AVERAGE WATER CONSUMPTION IS APPROXIMATELY 0.5 LITRES/MIN WITH A MAXIMUM OF 8 LITRES/MIN FOR 3 MINUTES PER CYCLE.
- WASTE - Ø80MM TO SEWER IN COMPLIANCE WITH AS 3500.2. AVERAGE WASTE OUTLET TEMPERATURE 50°C WITH A MAXIMUM OF 100°C SHORT TERM. ATHERTON SUPPLIED TUNDISH TO BE LOCATED OVER WASTE POINT. Ø40 STERILIZER DISCHARGE ABS PIPE MUST DISCHARGE INTO TUNDISH WITH 80MM PHYSICAL AIR BREAK.
- POWER - TO AS 3000. - 3 PHASE, NEUTRAL & EARTH, 110 AMPS PER PHASE, DIRECT CONNECTION TO UNIT. ATHERTON RECOMMENDS "FEDERAL WR3125M" SWITCH.

VENTILATION - ATHERTON RECOMMENDS VENTILATION OF THE STERILIZER ROOM FOR THE REMOVAL OF HEAT.

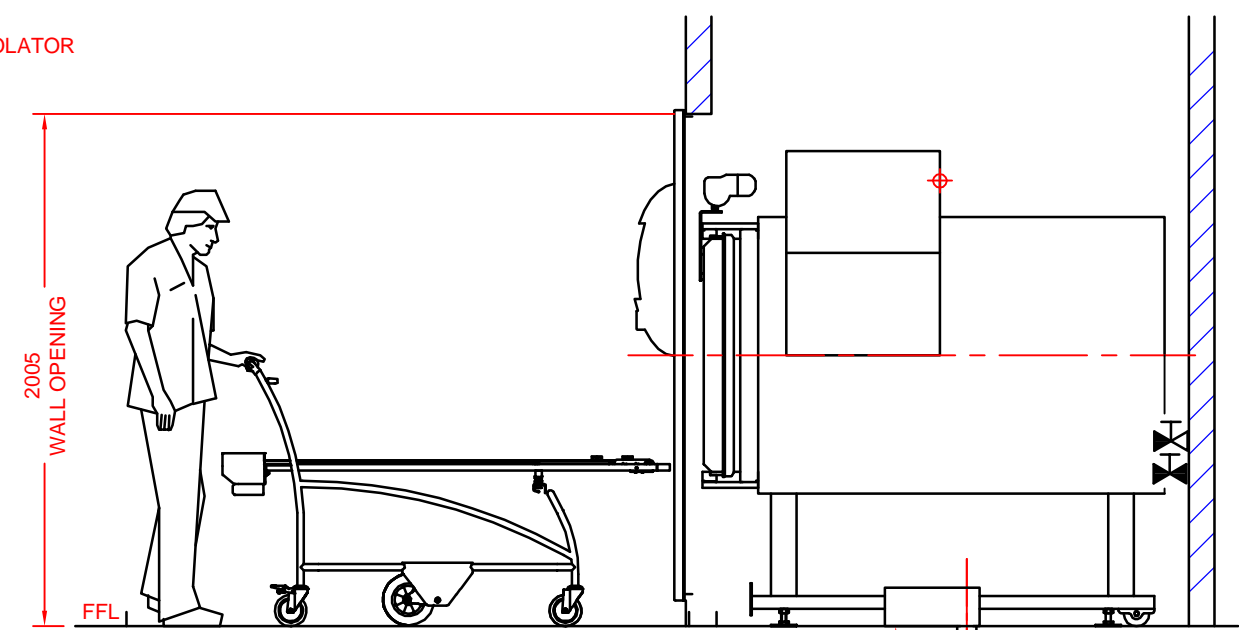
FLOOR WASTE - ATHERTON RECOMMENDS THE INSTALLATION OF A CORRECTLY DRAINED FLOOR WASTE TO HELP REDUCE POTENTIAL DAMAGE IN CASE OF A MAJOR STEAM OR WATER LEAK.

PRODUCT CODE & SPECIFICATIONS  
TEB9615 - TANGENT SERIES GORILLA, STEAM GENERATOR, BUILT IN STERILIZER. CHAMBER DIMENSION : 900 x 660 x 1620MM DEEP.  
HEAT LOSS FRONT OF WALL AT 21°C : 1450 WATTS.  
HEAT LOSS BACK OF WALL AT 21°C : 3900 WATTS.  
OPERATING WEIGHT ( CHAMBER FILLED WITH WATER ) : 2100 KG  
PACKED WEIGHT : 1650 KG  
STRIP DOWN SIZE : 820 WIDE x 1700 HIGH x 1970MM LONG.

GENERAL NOTES  
ALL DIMENSIONS ARE IN MM.  
GENERAL TOLERANCE ON BUILDING ±5MM.  
ALL SERVICE SPECIFICATIONS ARE DYNAMIC.  
SERVICES AND BUILDING REQUIREMENTS ARE TO BE SUPPLIED BY THE CLIENT UNLESS OTHERWISE SPECIFIED.



MULTIPLE UNIT LOCATION  
FRONT ELEVATION



SIDE ELEVATION

# Atherton

## STERILIZER INSTALLATION DETAILS

TEB9615 TANGENT SERIES GORILLA STERILIZER

### CLIENT APPROVAL

PROJECT.....  
APPROVED BY (PRINT NAME).....  
SIGNED..... DATE.....

### SPECIAL REQUIREMENTS

IF DRAWING IS NOT RETURNED WITHIN 30 DAYS, ATHERTON WILL ASSUME THAT ALL SERVICES & SPACE REQUIREMENTS HAVE BEEN PROVIDED. ATHERTON TAKES NO RESPONSIBILITY FOR DELAYS, COSTS OR DAMAGE TO EQUIPMENT IF PURCHASER DOES NOT SUPPLY SERVICES AS DETAILED IN THIS DOCUMENT AND WARRANTY COVER MAY BE VOID.

DRAWN. P.L.G.	DATE. 09/11/2011	APPROVED. R.OLIVER
DOCUMENT NO. 025303	REV NO. 0	DATE. 14/11/2011
SHEET SIZE A3	SCALE 1:30	