

SERVICE REQUIREMENTS

COLD WATER - SUPPLY TO BE CONSTANTLY BETWEEN 200 & 500 KPA, MAXIMUM TEMPERATURE 25°C, TREATED IF OVER 2 PPM (0.02 MMOL/L) HARDNESS, CHLORIDE FREE, COMPLETE WITH 15MM ISOLATING VALVE & BACK FLOW PREVENTION TO AS 3500.1. AVERAGE WATER CONSUMPTION IS APPROXIMATELY 8 LITRES/MIN WITH A MAXIMUM OF 18 LITRES/MIN FOR 3 MINUTES PER CYCLE.

FEED WATER - WHERE WATER QUALITY DOES NOT MEET AS 1410 TABLE B1, TREATED WATER MUST BE SUPPLIED, COMPLETE WITH 15MM ISOLATING VALVE & BACK FLOW PREVENTION TO AS 3500.1. INITIAL FILL REQUIREMENTS : 10 LITRES. AVERAGE WATER CONSUMPTION IS APPROXIMATELY 0.1 LITRES/MIN WITH A MAXIMUM OF 5 LITRES/MIN FOR 3 MINUTES PER CYCLE

WASTE - Ø50MM TO SEWER IN COMPLIANCE WITH AS 3500.2. AVERAGE WASTE OUTLET TEMPERATURE 50°C WITH A MAXIMUM OF 100°C SHORT TERM. ATHERTON RECOMMENDS THE INSTALLATION OF A CORRECTLY DRAINED FLOOR WASTE TO HELP REDUCE POTENTIAL DAMAGE IN CASE OF A MAJOR STEAM OR WATER LEAK.

POWER - TO AS 3000. 3 PHASE, NEUTRAL & EARTH, 32 AMPS PER PHASE. ATHERTON RECOMMENDS "CLIPSAL 56S0532" 5 PIN OUTLET & "CLIPSAL 56SW332" SWITCH.

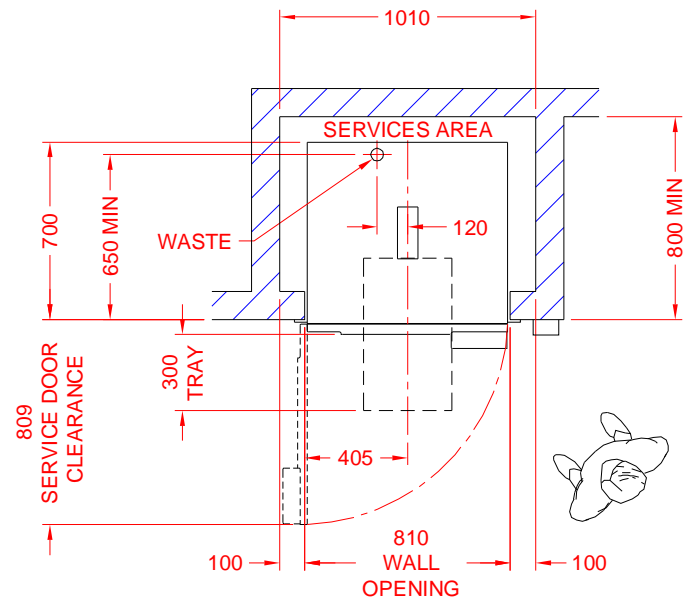
VENTILATION - ATHERTON RECOMMENDS VENTILATION FOR THE REMOVAL OF HEAT LOSS.

PRODUCT CODE & SPECIFICATIONS

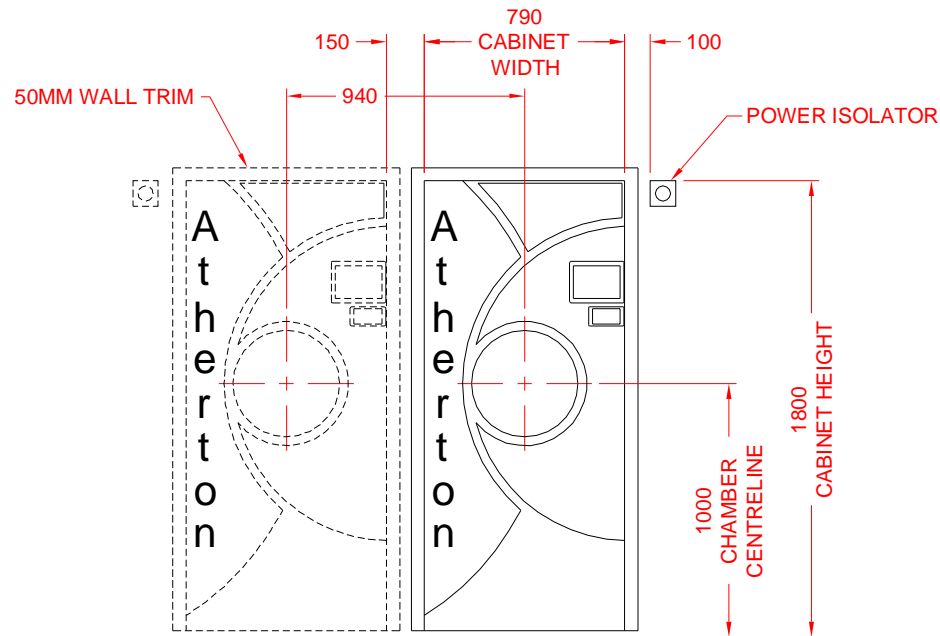
TEB4 - TANGENT SERIES COBRA, STEAM GENERATOR, BUILT IN STERILIZER. CHAMBER DIMENSION: Ø400 x 660MM DEEP. HEAT LOSS FRONT OF WALL AT 21°C : 350 WATTS. HEAT LOSS BACK OF WALL AT 21°C : 1100 WATTS. OPERATING WEIGHT (CHAMBER FILLED WITH WATER) : 470 KG PACKED WEIGHT : 400 KG

GENERAL NOTES

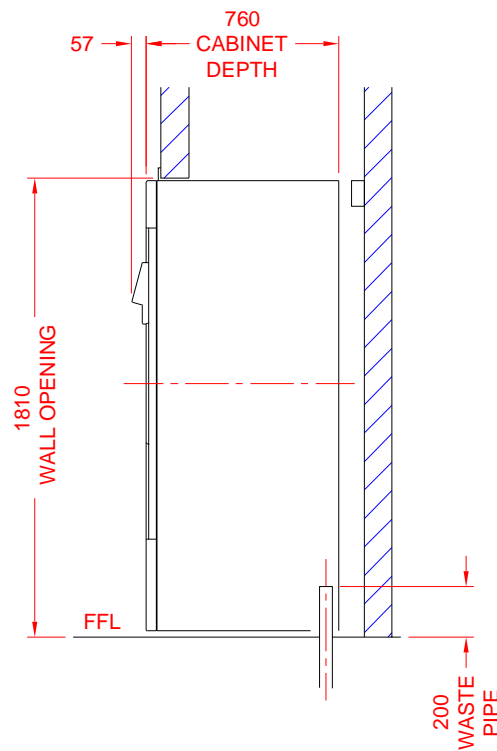
ALL DIMENSIONS ARE IN MM. GENERAL TOLERANCE ON BUILDING ±5MM. ALL SERVICE SPECIFICATIONS ARE DYNAMIC. SERVICES AND BUILDING REQUIREMENTS ARE TO BE SUPPLIED BY THE CLIENT UNLESS OTHERWISE SPECIFIED.



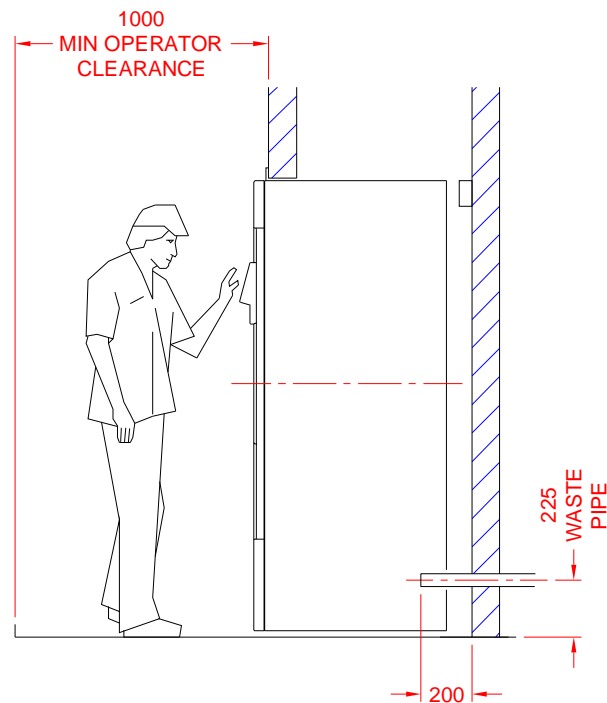
PLAN VIEW



FRONT ELEVATION



SIDE ELEVATION FLOOR WASTE



SIDE ELEVATION WALL WASTE

Atherton

STERILIZER INSTALLATION DETAILS

TEB4 TANGENT SERIES COBRA STERILIZER

CLIENT APPROVAL

PROJECT.....
 APPROVED BY (PRINT NAME).....
 SIGNED..... DATE.....

SPECIAL REQUIREMENTS

IF DRAWING IS NOT RETURNED WITHIN 30 DAYS, ATHERTON WILL ASSUME THAT ALL SERVICES & SPACE REQUIREMENTS HAVE BEEN PROVIDED. ATHERTON TAKES NO RESPONSIBILITY FOR DELAYS, COSTS OR DAMAGE TO EQUIPMENT IF PURCHASER DOES NOT SUPPLY SERVICES AS DETAILED IN THIS DOCUMENT AND WARRANTY COVER MAY BE VOID.

DRAWN. P.L.G.	DATE. 09/11/2011	APPROVED. R.OLIVER
DOCUMENT NO. 025329	REV NO. 0	DATE. 14/11/2011
SHEET SIZE A3	SCALE 1:30	