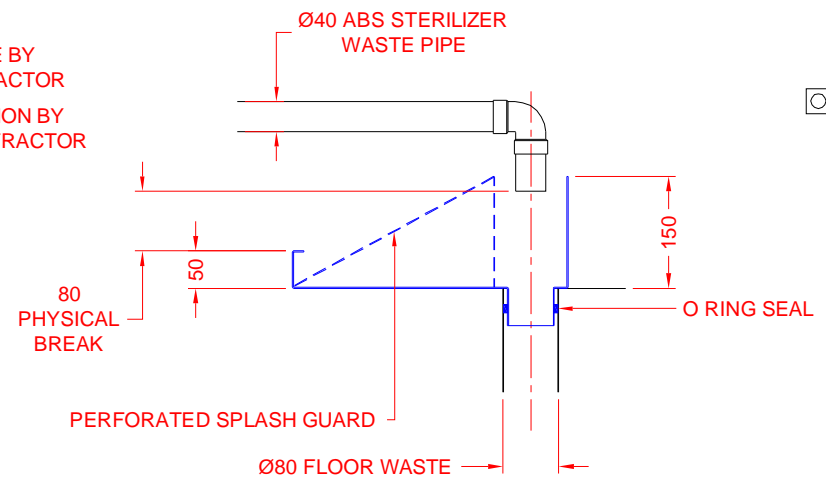
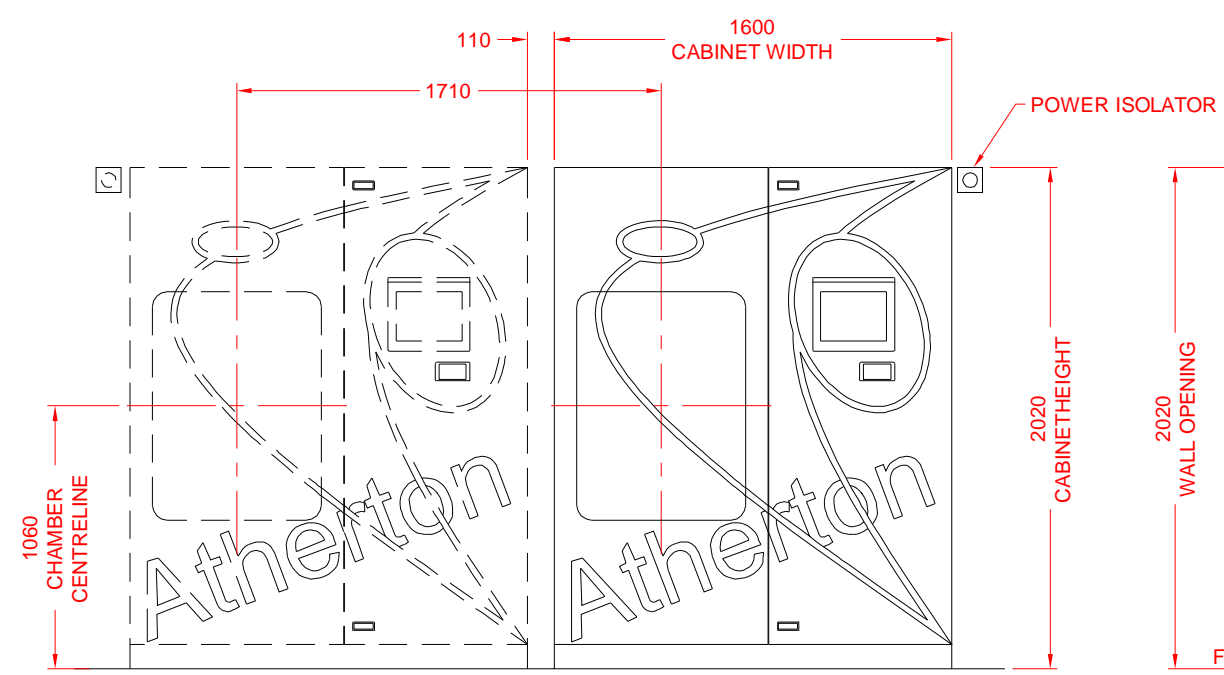


PLAN VIEW

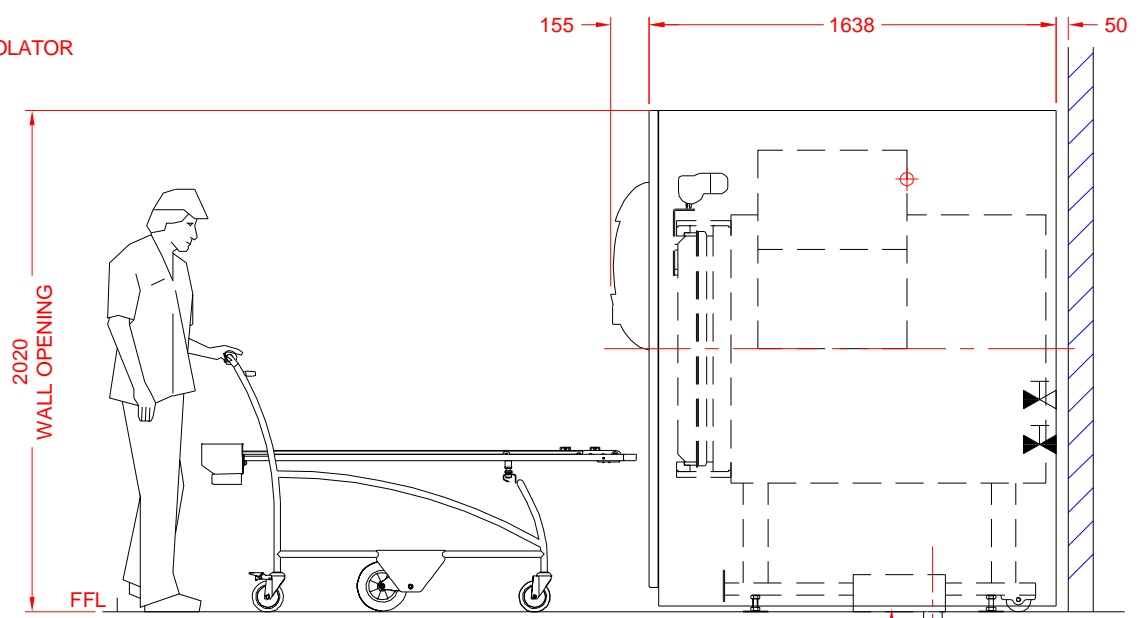


TYPICAL FLOOR WASTE & TUNDISH DETAIL
NOTE! TUNDISH SUPPLIED BY ATHERTON

- SERVICE REQUIREMENTS BY OTHERS**
- COLD WATER - SUPPLY TO BE CONSTANTLY BETWEEN 200 & 500 KPA, MAXIMUM TEMPERATURE 25°C, TREATED IF OVER 2 PPM (0.02 MMOL/L) HARDNESS, CHLORIDE FREE, COMPLETE WITH 20MM ISOLATING VALVE & BACK FLOW PREVENTION TO AS 3500.1. AVERAGE WATER CONSUMPTION IS APPROXIMATELY 18 LITRES/MIN WITH A MAXIMUM OF 22 LITRES/MIN FOR 3 MINUTES PER CYCLE.
 - TREATED WATER - WHERE WATER QUALITY DOES NOT MEET AS 1410 TABLE B1, TREATED WATER MUST BE SUPPLIED, COMPLETE WITH 15MM ISOLATING VALVE & BACK FLOW PREVENTION TO AS 3500.1. INITIAL FILL REQUIREMENTS: 28 LITRES. AVERAGE WATER CONSUMPTION IS APPROXIMATELY 0.5 LITRES/MIN WITH A MAXIMUM OF 8 LITRES/MIN FOR 3 MINUTES PER CYCLE.
 - WASTE - Ø80MM TO SEWER IN COMPLIANCE WITH AS 3500.2. AVERAGE WASTE OUTLET TEMPERATURE 50°C WITH A MAXIMUM OF 100°C SHORT TERM. ATHERTON SUPPLIED TUNDISH TO BE LOCATED OVER WASTE POINT. Ø40 STERILIZER DISCHARGE PIPE MUST DISCHARGE INTO TUNDISH WITH 80MM PHYSICAL AIR BREAK.
 - POWER - TO AS 3000. 3 PHASE, NEUTRAL & EARTH, 110 AMPS PER PHASE, DIRECT CONNECTION TO UNIT. ATHERTON RECOMENDS "FEDERAL WR3125M" SWITCH.
 - VENTILATION - ATHERTON RECOMMENDS VENTILATION OF THE STERILIZER ROOM FOR THE REMOVAL OF HEAT.
 - FLOOR WASTE - ATHERTON RECOMMENDS THE INSTALLATION OF A CORRECTLY DRAINED FLOOR WASTE TO HELP REDUCE POTENTIAL DAMAGE IN CASE OF A MAJOR STEAM OR WATER LEAK.
 - PRODUCT CODE & SPECIFICATIONS**
 CEC9612 - CYBER SERIES CHINCHILLA, STEAM GENERATOR, CABINET STERILIZER.
 CHAMBER DIMENSION : 900 x 660 x 1300MM DEEP.
 HEAT LOSS FROM CABINET AT 21°C : 4250 WATTS.
 OPERATING WEIGHT (CHAMBER FILLED WITH WATER) : 1950 KG
 PACKED WEIGHT : 1500 KG
 STRIP DOWN SIZE : 820 WIDE x 1700 HIGH x 1650MM LONG.
 - GENERAL NOTES**
 ALL DIMENSIONS ARE IN MM.
 GENERAL TOLERANCE ON BUILDING ±5MM.
 ALL SERVICE SPECIFICATIONS ARE DYNAMIC.
 SERVICES AND BUILDING REQUIREMENTS ARE TO BE SUPPLIED BY THE CLIENT UNLESS OTHERWISE SPECIFIED.



FRONT ELEVATION
MULTIPLE UNIT LOCATION



SIDE ELEVATION

Atherton

STERILIZER INSTALLATION DETAILS

CEC9612 CYBER SERIES CHINCHILLA STERILIZER

CLIENT APPROVAL

PROJECT.....

APPROVED BY
(PRINT NAME).....

SIGNED..... DATE.....

SPECIAL REQUIREMENTS

IF DRAWING IS NOT RETURNED WITHIN 30 DAYS, ATHERTON WILL ASSUME THAT ALL SERVICES & SPACE REQUIREMENTS HAVE BEEN PROVIDED. ATHERTON TAKES NO RESPONSIBILITY FOR DELAYS, COSTS OR DAMAGE TO EQUIPMENT IF PURCHASER DOES NOT SUPPLY SERVICES AS DETAILED IN THIS DOCUMENT AND WARRANTY COVER MAY BE VOID.

DRAWN. P.L.G.	DATE. 09/11/2011	APPROVED. R.OLIVER	
DOCUMENT NO. 025311	REV NO. 0	SHEET SIZE A3	SCALE 1:30
		DATE. 14/11/2011	