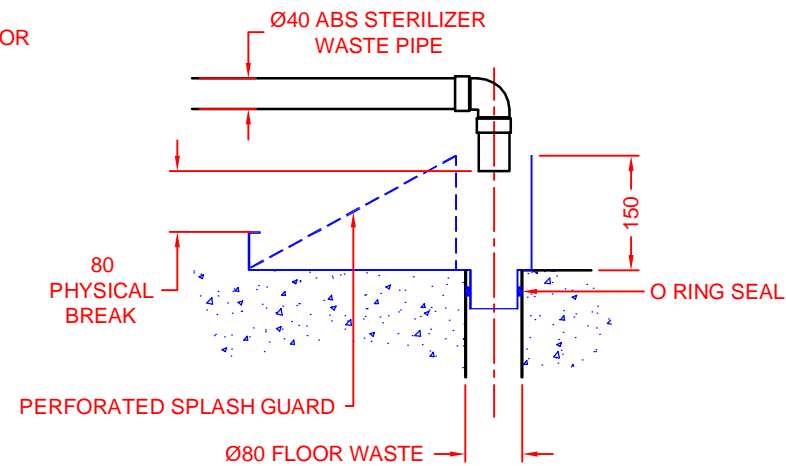






PLAN VIEW



TYPICAL FLOOR WASTE & TUNDISH DETAIL
NOTE! TUNDISH SUPPLIED BY ATHERTON

SERVICE REQUIREMENTS BY OTHERS

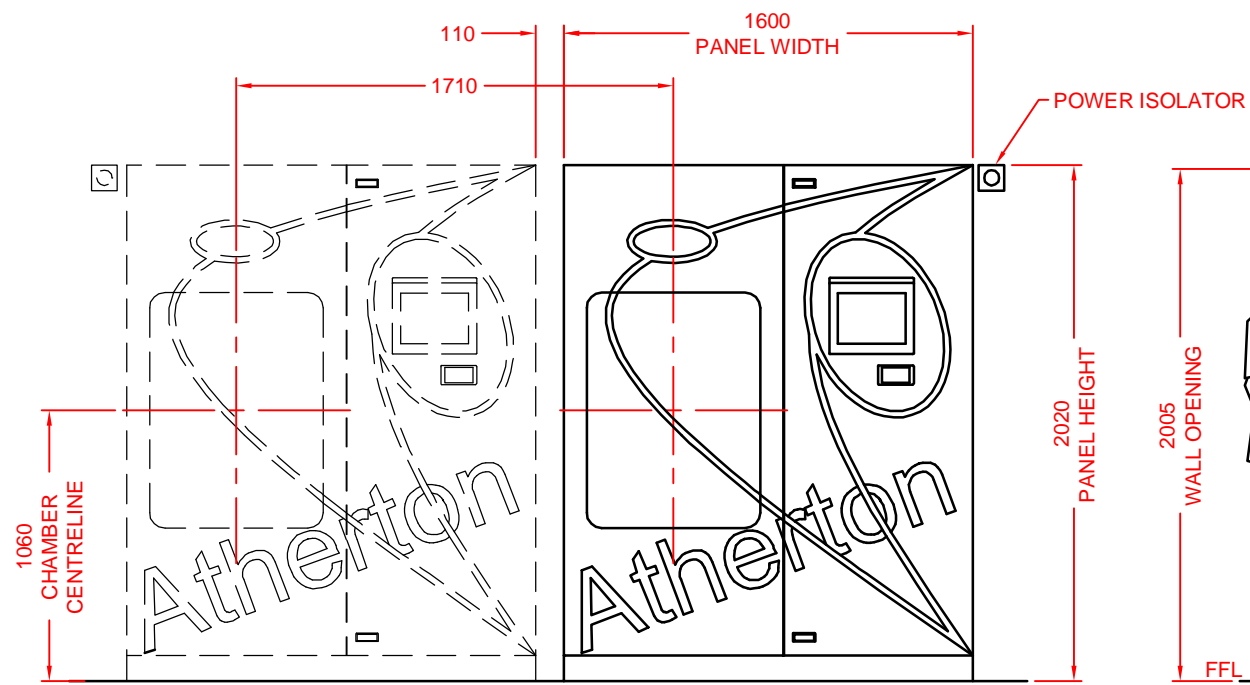
-  COLD WATER - SUPPLY TO BE CONSTANTLY BETWEEN 200 & 500 KPA, MAXIMUM TEMPERATURE 25°C, TREATED IF OVER 2 PPM (0.02 MMOL/L) HARDNESS, CHLORIDE FREE, COMPLETE WITH 20MM ISOLATING VALVE & BACK FLOW PREVENTION TO AS 3500.1. AVERAGE WATER CONSUMPTION IS APPROXIMATELY 18 LITRES/MIN WITH A MAXIMUM OF 22 LITRES/MIN FOR 3 MINUTES PER CYCLE.
-  TREATED WATER - WHERE WATER QUALITY DOES NOT MEET AS 1410 TABLE B1, TREATED WATER MUST BE SUPPLIED, COMPLETE WITH 15MM ISOLATING VALVE & BACK FLOW PREVENTION TO AS 3500.1. INITIAL FILL REQUIREMENTS: 28 LITRES. AVERAGE WATER CONSUMPTION IS APPROXIMATELY 0.5 LITRES/MIN WITH A MAXIMUM OF 8 LITRES/MIN FOR 3 MINUTES PER CYCLE.
-  WASTE - Ø80MM TO SEWER IN COMPLIANCE WITH AS 3500.2. AVERAGE WASTE OUTLET TEMPERATURE 50°C WITH A MAXIMUM OF 100°C SHORT TERM. ATERTON SUPPLIED TUNDISH TO BE LOCATED OVER WASTE POINT. Ø40MM STERILIZER ABS PIPE MUST DISCHARGE INTO TUNDISH WITH 80MM PHYSICAL AIR BREAK.
-  POWER - TO AS 300. 3 PHASE, NEUTRAL & EARTH, 110 AMPS PER PHASE, DIRECT CONNECTION TO UNIT. ATHERTON RECOMENDS "FEDERAL WR3125M" SWITCH.

VENTILATION - ATHERTON RECOMMENDS VENTILATION OF THE STERILIZER FOR THE REMOVAL OF HEAT.

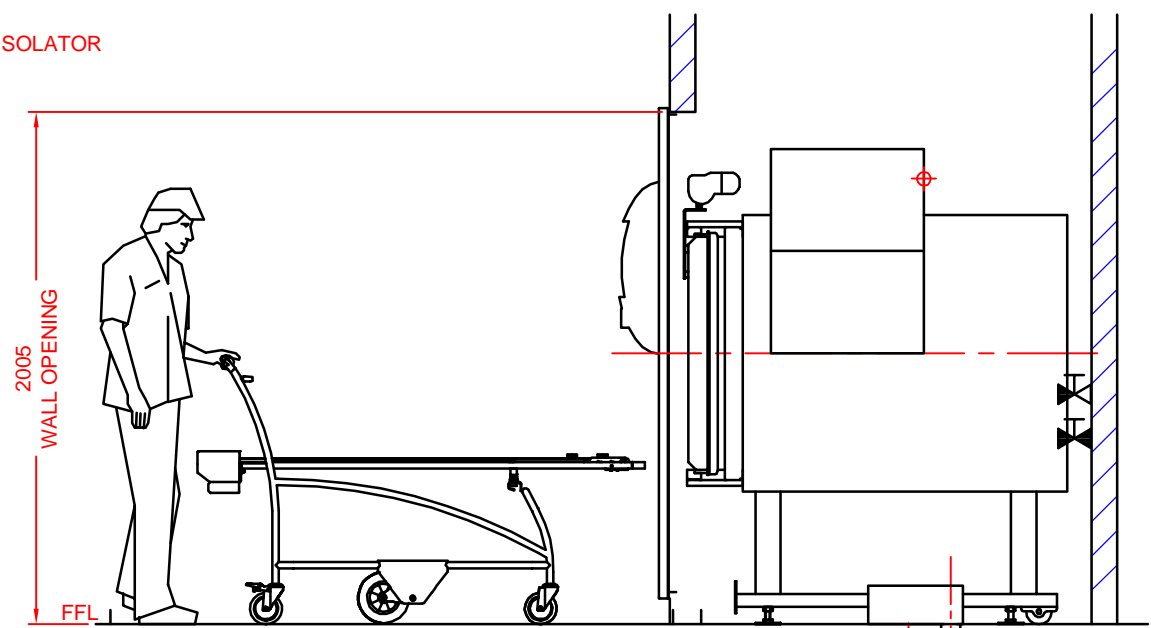
FLOOR WASTE - ATHERTON RECOMMENDS THE INSTALLATION OF A CORRECTLY DRAINED FLOOR WASTE TO HELP REDUCE POTENTIAL DAMAGE IN CASE OF A MAJOR STEAM OR WATER LEAK.

PRODUCT CODE & SPECIFICATIONS
CEB9612 - CYBER SERIES CHINCHILLA, STEAM GENERATOR, BUILT IN STERILIZER.
CHAMBER DIMENSION : 900 x 660 x 1300MM DEEP.
HEAT LOSS FRONT OF WALL AT 21°C : 1450 WATTS.
HEAT LOSS BACK OF WALL AT 21°C : 3300 WATTS.
OPERATING WEIGHT (CHAMBER FILLED WITH WATER) : 1900 KG
PACKED WEIGHT : 1450 KG
STRIP DOWN SIZE : 820 WIDE x 1700 HIGH x 1650MM LONG.

GENERAL NOTES
ALL DIMENSIONS ARE IN MM.
GENERAL TOLERANCE ON BUILDING ±5MM.
ALL SERVICE SPECIFICATIONS ARE DYNAMIC.
SERVICES AND BUILDING REQUIREMENTS ARE TO BE SUPPLIED BY THE CLIENT UNLESS OTHERWISE SPECIFIED.



FRONT ELEVATION



SIDE ELEVATION

Atherton

STERILIZER INSTALLATION DETAILS

CEB9612 CYBER SERIES CHINCHILLA STERILIZER

CLIENT APPROVAL

PROJECT.....
APPROVED BY
(PRINT NAME).....
SIGNED..... DATE.....

SPECIAL REQUIREMENTS

IF DRAWING IS NOT RETURNED WITHIN 30 DAYS, ATHERTON WILL ASSUME THAT ALL SERVICES & SPACE REQUIREMENTS HAVE BEEN PROVIDED. ATHERTON TAKES NO RESPONSIBILITY FOR DELAYS, COSTS OR DAMAGE TO EQUIPMENT IF PURCHASER DOES NOT SUPPLY SERVICES AS DETAILED IN THIS DOCUMENT AND WARRANTY COVER MAY BE VOID.

DRAWN. P.L.G.	DATE. 09/11/2011	APPROVED.
DOCUMENT NO.	REV NO.	SCALE
025307	0	1:30
SHEET SIZE A3	DATE.	R.OLIVER
		14/11/2011