

GENERAL NOTES

ALL DIMENSIONS ARE IN MM.  
GENERAL TOLERANCE ON BUILDING ±5MM.

SERVICE REQUIREMENTS (BY OTHERS)

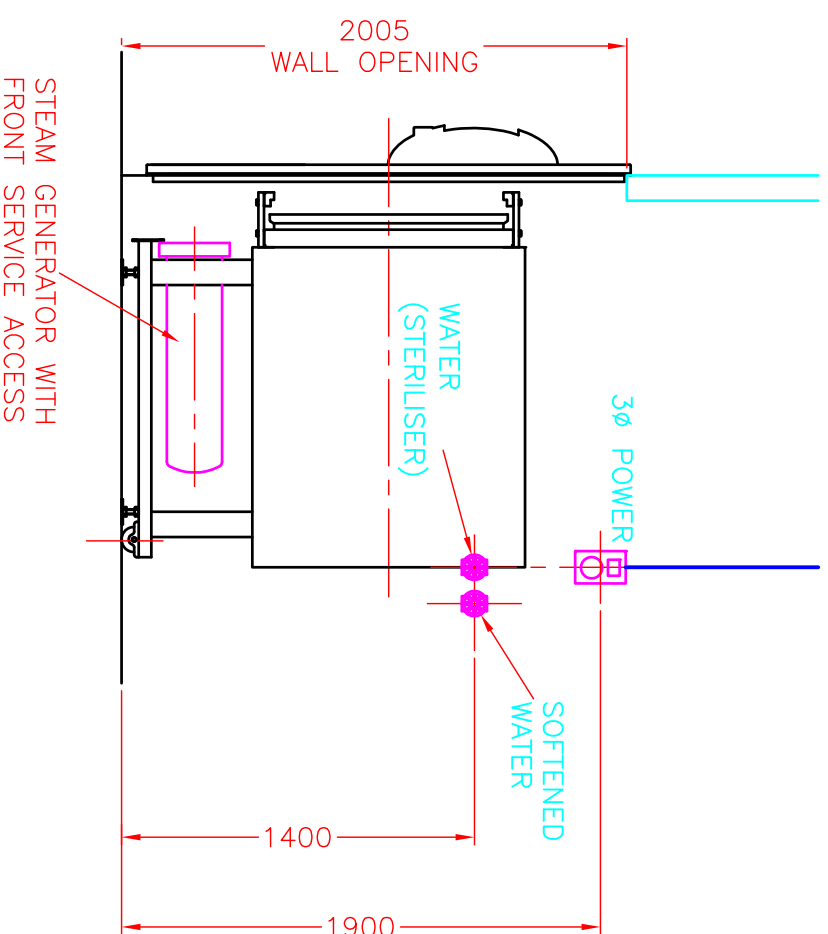
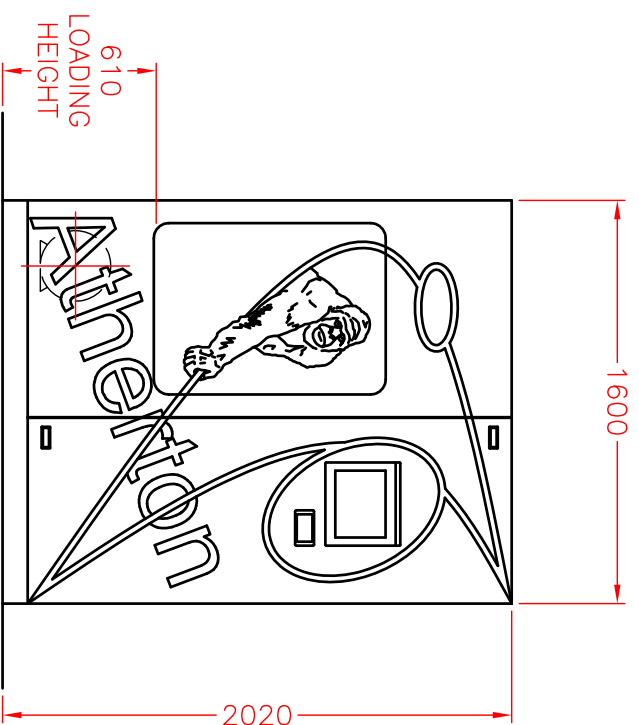
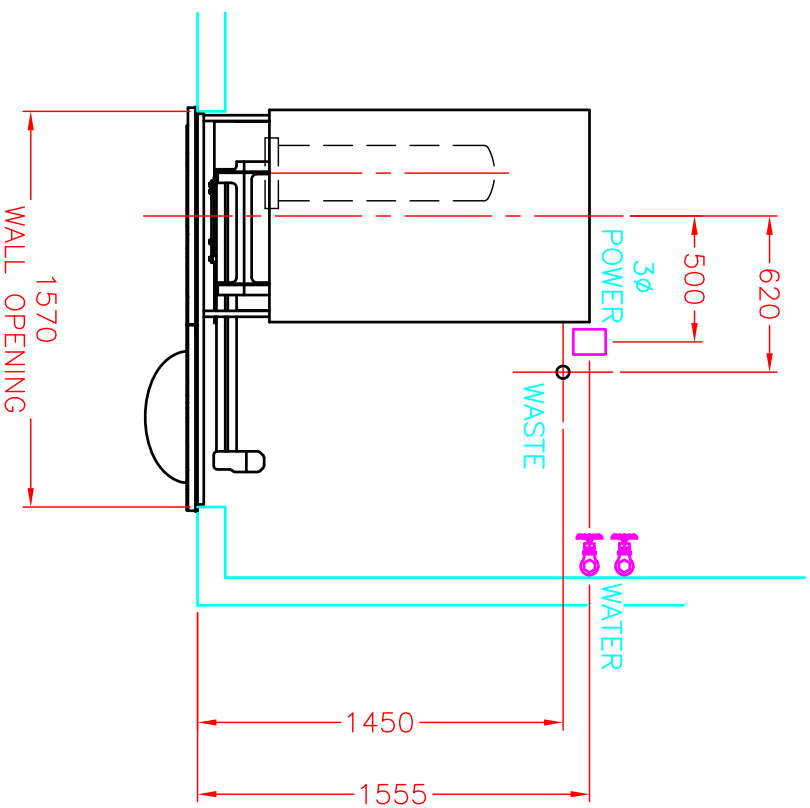
WATER (MAINS) – SUPPLY TO BE CONSTANTLY BETWEEN 220 & 500 KPA, MAXIMUM TEMPERATURE 25°C, CHLORIDE FREE COMPLETE WITH 20MM ISOLATING VALVE & BACKFLOW PREVENTION TO AS 3500.1, AVERAGE WATER CONSUMPTION APPROXIMATELY 18 LITRES/MIN. MAXIMUM FLOW RATE 25 LITRES/MIN FOR 3 MINUTES.

NOTE! WATER CONSUMPTION CAN BE SIGNIFICANTLY REDUCED IF CHILLED WATER IS AVAILABLE.

SOFTENED WATER (MANDATORY) – WATER CONSUMPTION APPROXIMATELY 85 LIT/HR COMPLETE WITH 15MM ISOLATING VALVE. WATER HARDNESS 2PPM.

POWER – 95 AMPS/PHASE, 415 VOLT COMPLETE WITH NEUTRAL, EARTH & ISOLATING SWITCH. FINAL CONNECTION TO UNIT BY ON SITE ELECTRICIAN.

WASTE – 50MM TO SEWER & IN COMPLIANCE WITH AS3500.2. WASTE TEMPERATURE UP TO 100°C SHORT TERM.



# Atherton

HOSPITAL EQUIPMENT  
COMMERCIAL KITCHEN EQUIPMENT  
AIR CONDITIONING & MECHANICAL SERVICES

Head Office, Melbourne Phone: 9497 2500  
Fax: 9497 1190  
Adelaide Phone: 8262 9044 Brisbane Phone: 3277 1321  
Sydney Phone: 9679 8911 Perth Phone: 9249 6166  
Web: www.athertononline.net

PROJECT NAME

MAIN TITLE

STERILISER INSTALLATION

SUB TITLE

TEB 9

SUB TITLE

GORILLA SERIES

LOCATION

ITEM

PRODUCTION ORDER

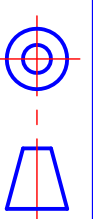
DRAWN

H.R

DATE  
01/09/05

SCALE  
1:30

APPROVED BY



STATUS

UNAPPROVED  
 APPROVED BY CLIENT  
 PENDING APPROVAL  
 APPROVED FOR MANUFACTURE

DRG

SKETCH 1

REV