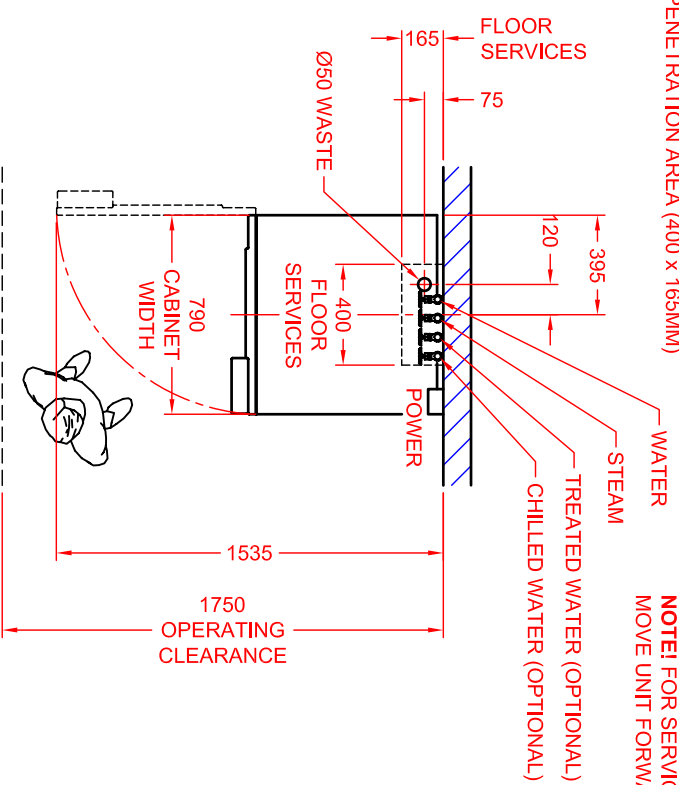
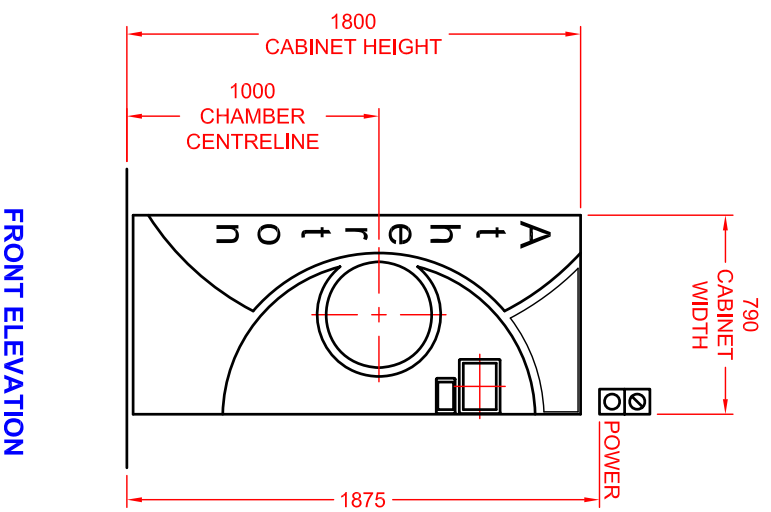


**NOTE!** IF SERVICES TERMINATE THROUGH THE FLOOR THEY MUST BE WITHIN THE FLOOR PENETRATION AREA (400 x 165MM)

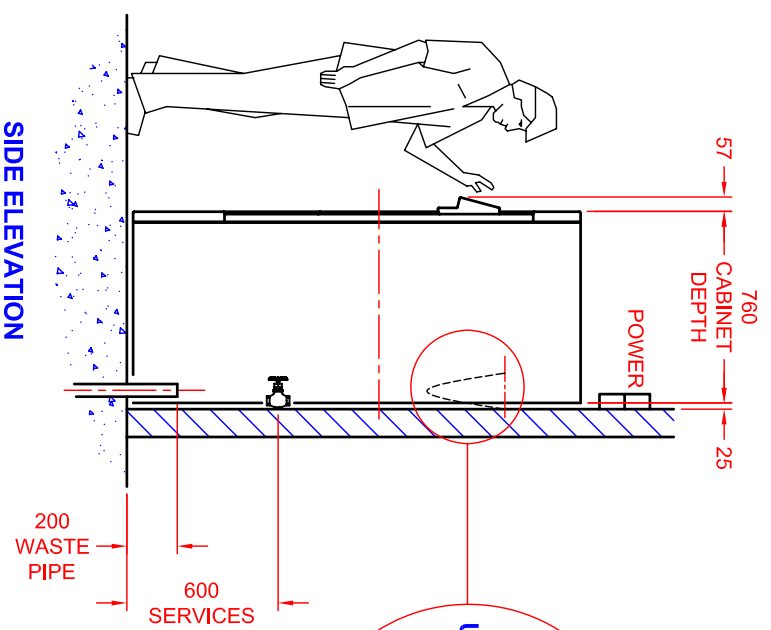
**NOTE!** FOR SERVICES ACCESS MOVE UNIT FORWARD.



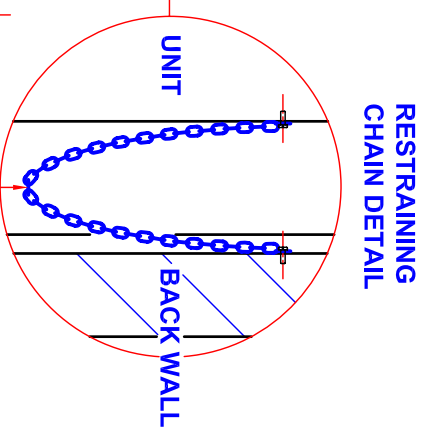
**PLAN VIEW**



**FRONT ELEVATION**



**SIDE ELEVATION**



**RESTRAINING CHAIN DETAIL**

**SERVICE REQUIREMENTS**

**STEAM**

**TSC4** - SUPPLY TO BE BETWEEN 400 & 500 KPA AT 0.97 DRYNESS FACTOR. CHLORIDE FREE COMPLETE WITH 15MM ISOLATING VALVE. AVERAGE STEAM CONSUMPTION IS APPROXIMATELY 30 KG/HR WITH A MAXIMUM CONSUMPTION OF 50 KG/HR FOR 3 MINUTES PER CYCLE.  
**TEC4** - N/A

**COLD WATER** - TO AS 1410 TABLE B1. SUPPLY TO BE CONSTANTLY BETWEEN 200 & 500 KPA, MAXIMUM TEMPERATURE 25°C. TREATED IF OVER 2PPM (0.002MMO/L) HARDNESS. CHLORIDE FREE. COMPLETE WITH 15MM ISOLATING VALVE & BACK FLOW PREVENTION TO AS 3500.1. AVERAGE WATER CONSUMPTION IS APPROXIMATELY 6 LITRES/MIN WITH A MAXIMUM CONSUMPTION OF 23 LITRES/MIN FOR 3 MINUTES PER CYCLE.

**WASTE** - 50MM TO SEWER IN COMPLIANCE WITH AS 3500.2. WASTE OUTLET TEMPERATURE APPROXIMATELY 50°C.

**POWER** - TO AS 3000.

**TSC4** - 10 AMP GPO. (5 METRE LEAD)  
**TEC4** - 3 PHASE, NEUTRAL & EARTH, 20 AMPS PER PHASE COMPLETE WITH ISOLATING SWITCH. (5 METRE LEAD).  
ATHERTON RECOMMENDS "CLIPSAL 56C520, 500V 20A - 5 ROUND PIN" SWITCHED SOCKET OUTLET.

**OPTIONAL SERVICE REQUIREMENTS**

**TREATED WATER (TEC ONLY)** - WHERE WATER QUALITY DOES NOT MEET AS 1410, TREATED WATER MUST BE SUPPLIED TO STEAM GENERATOR COMPLETE WITH 15MM ISOLATING VALVE & BACK FLOW PREVENTION TO AS 3500.1.  
INITIAL FILL REQUIREMENTS: 21 LITRES  
AVERAGE CONSUMPTION: 0.2 LITRES/MIN.  
PEAK CONSUMPTION: 4 LITRES/MIN.

**CHILLED WATER** - WATER CONSUMPTION CAN BE CONSIDERABLY REDUCED IF CHILLED WATER FLOW & RETURN IS AVAILABLE. REQUIRED CHILLED WATER SUPPLY 42 LITRES/MIN AT 7°C COMPLETE WITH 20MM ISOLATING VALVE.  
ESTIMATED AVERAGE RETURN 12°C. MAXIMUM 50°C FOR 3 MINUTES PER CYCLE.  
THIS OPTION REDUCES MAINS WATER CONSUMPTION TO 5 LITRES/MIN WITH A PRESSURE DROP OF 30 KPA.

**PRODUCT CODE**

**TSC4** - TANGENT COBRA SERIES, RETICULATED STEAM, BUILT IN STERILIZER. CHAMBER DIMENSION: Ø400 x 660MM DEEP.

**TEC4** - TANGENT COBRA SERIES, STEAM GENERATOR, BUILT IN STERILIZER. CHAMBER DIMENSION: Ø400 x 660MM DEEP.

**GENERAL NOTES**

ALL DIMENSIONS ARE IN MM.  
GENERAL TOLERANCE ON BUILDING ±5MM.  
ALL SERVICE SPECIFICATIONS ARE DYNAMIC.  
SERVICES AND BUILDING REQUIREMENTS ARE TO BE SUPPLIED BY THE CLIENT UNLESS OTHERWISE SPECIFIED.

**Atherton**

**STERILIZER INSTALLATION DETAILS**

- TSC4 TANGENT COBRA SERIES STERILIZER
- TEC4 TANGENT COBRA SERIES STERILIZER

**CLIENT APPROVAL**

APPROVED BY  
(PRINT NAME)..... DATE:.....  
SIGNED:..... DATE:.....

**SPECIAL REQUIREMENTS**

IF DRAWING IS NOT RETURNED WITHIN 30 DAYS, ATHERTON WILL ASSUME THAT ALL SERVICES & SPACE REQUIREMENTS HAVE BEEN PROVIDED. ATHERTON TAKES NO RESPONSIBILITY FOR DELAYS, COSTS OR DAMAGE TO EQUIPMENT IF PURCHASER DOES NOT SUPPLY SERVICES AS DETAILED IN THIS DOCUMENT AND WARRANTY COVER MAY BE VOID.

DOCUMENT NO.	REV NO.	DATE	SCALE
TDSXXX	0	10/05/08	1:30