







Atherton

Duck Series



FEATURES

-  Front access for maintenance.
-  240 Volt 10 Amp GPO connection.
-  Chamber capacity: 2 Urinal or 1 Bedpan.
-  Cool down stage (no hot pans/bottles).
-  Stainless steel construction of panels, frame, water tank and hopper.
-  Tank overflow connection not required.



Ducks like water and need water to live. We like Ducks and water too. So we designed the Duck Series Bedpan and Urine bottle flusher/sanitizer to use as little water as possible, and still clean what needs to be cleaned. There is even an “eco cycle” to take care of the number one stuff, and the normal cycle for number two jobs.

How did we do it, you ask? Well, we improved the design of our cleaning spray system so it works better and uses less water in the process. We also decided to get all steamed up when it came to the sanitizing part of the exercise, literally. Instead of using a lot of hot water (boiling hot actually) which consumes a lot of electricity to make, we use a little electricity to make a lot of steam, to make the bedpan hot (more than 85 °C) which makes everyone happy except the bugs we are trying to get rid of. They're not happy at all, but who cares. We use so little electricity in fact, you can use a standard 10 amp GPO to run the machine compared to three phase power of the old model. We got quite a buzz out of achieving that, and using a lot less electricity can't be a bad thing, right?

But all that stuff is buried behind the panels. What looks different from the outside? Well for one thing the unit is smaller (shorter to be precise), and it has a colour touch screen to let you know what is happening with the cycle, what sort of day/week/month the unit has had (in the shape of a fault report) and other intriguing stuff that service technicians just love to play around with.

The door still opens and closes by itself, courtesy of the motion sensor which tells the controls (microprocessor based of course) that someone is waving a bedpan around that they would like to get rid of, sooner rather than later. Once you have gotten rid of the pan, a simple tap on the touch screen gets things moving, so to speak, and before you know it, the jobs done!

Automatic Bed Pan Flusher/Sanitizer

Atherton is a dynamic and innovative organization operating nationally within Australia, with an office in each capital city, and internationally through its network of agents throughout Asia and the Pacific nations.

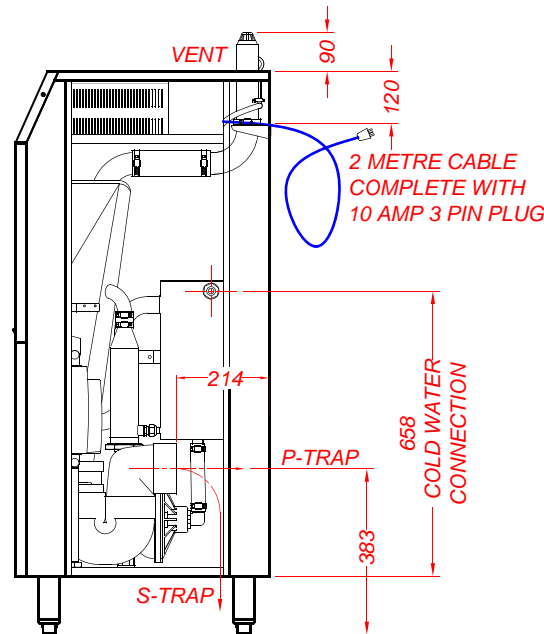
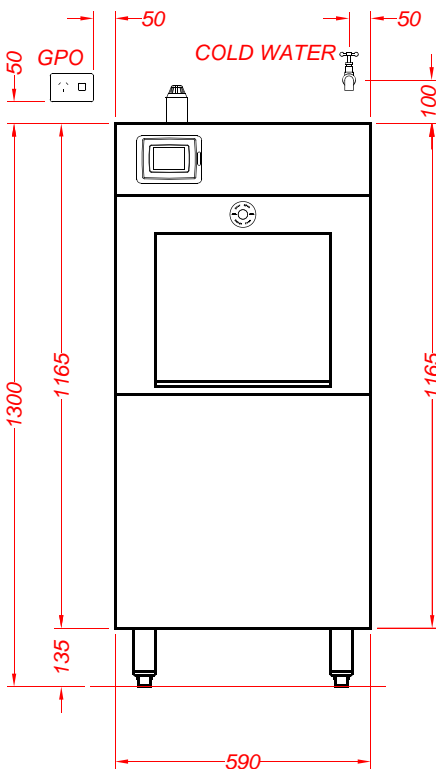
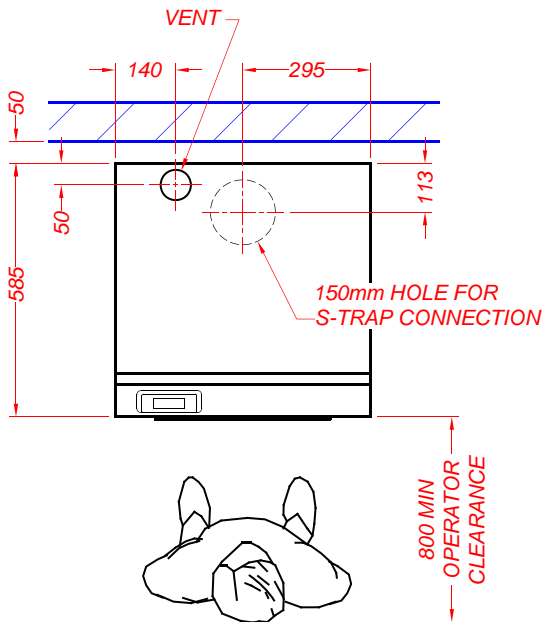
To find out more about Atherton Sterilizers and other infection control products Visit our web site www.atherton.net Alternatively phone or fax any of our offices:

Established in 1889, Atherton is a privately owned family business.

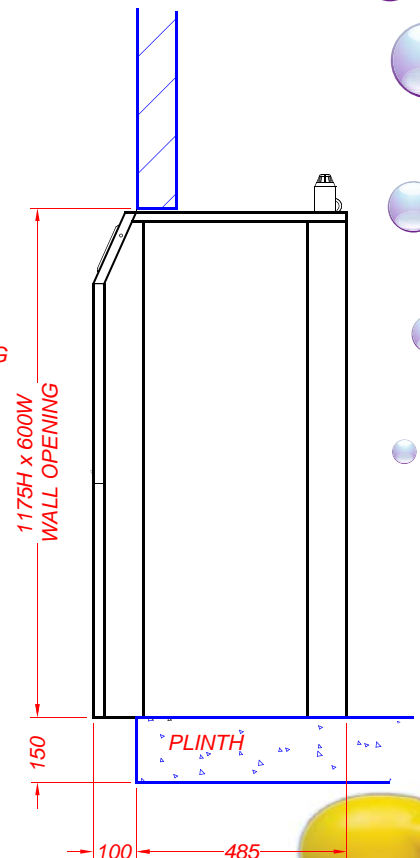
TECHNICAL DATA

SERVICES

- **Cold Water** - 15mm BSP connection, 250-350Kpa.
- **Waste** - 100mm Connection. "S" or "P" trap.
Connection to AS3500.2
Waste discharge temperature not more than 45°C
- **Power** - 10 Amp GPO.



FREE STANDING



BUILT IN

Company Head Office

Melbourne:	Adelaide:	Sydney:	Brisbane:	Perth:
A.E.Atherton & Sons Pty Ltd	Unit 22, 11-31	23 Lidco Street,	66 Raynham Street,	Unit 3/1914 Beach Road
364 Darebin Road,	Port Wakefield Road,	Arndell Park NSW 2148	Salisbury QLD 4107	Malaga WA 6062
Thornbury VIC 3071	Gepps Cross SA 5012	Australia	Australia	Australia
Australia	Australia	Ph. 61 02 9679 8911	Ph. 61 07 3277 1321	Ph. 61 08 9249 6166
Ph. 61 03 9497 2500	Ph. 61 08 8262 9044	Fax: 61 02 9679 8922	Fax: 61 07 3875 1512	Fax: 61 08 9249 6353
Fax: 61 03 9497 1190	Fax: 61 08 8262 9344			