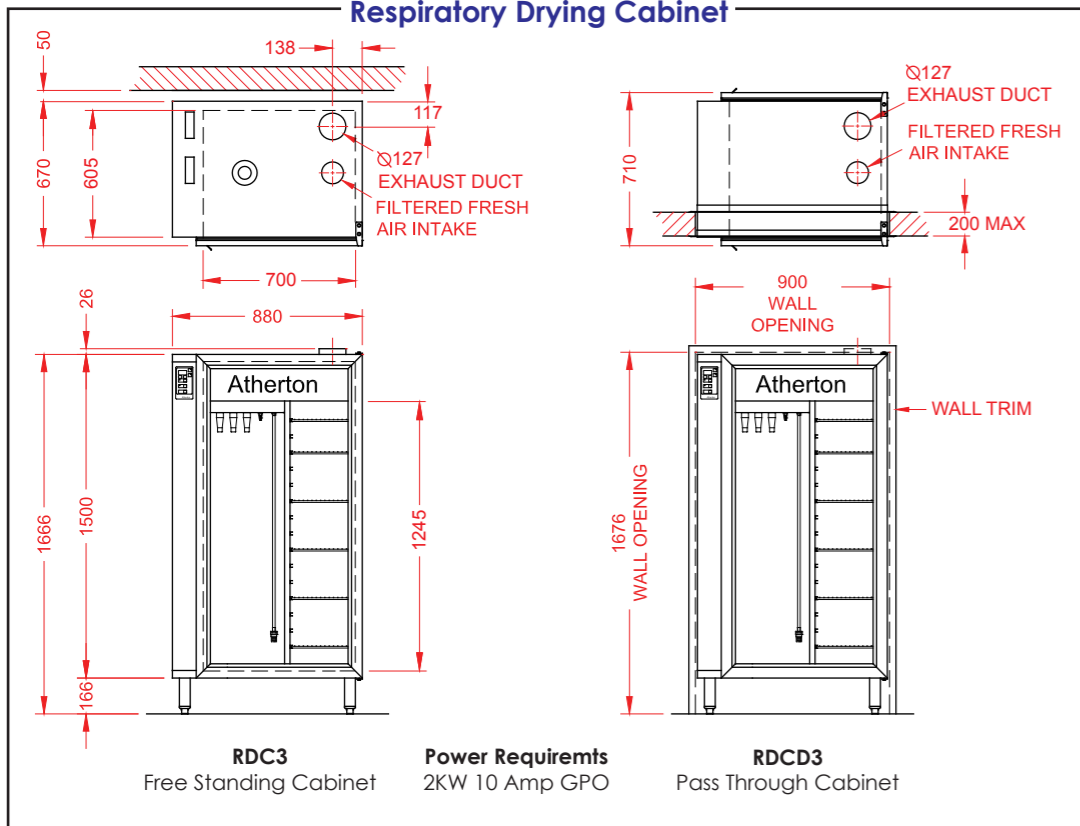


- TECHNICAL INFORMATION -

Respiratory Drying Cabinet



Fax
+61 3 9497 1190

Email
info@atherton.net

Sales & Service
1300 580 870

General Enquiries
+61 3 9497 2500

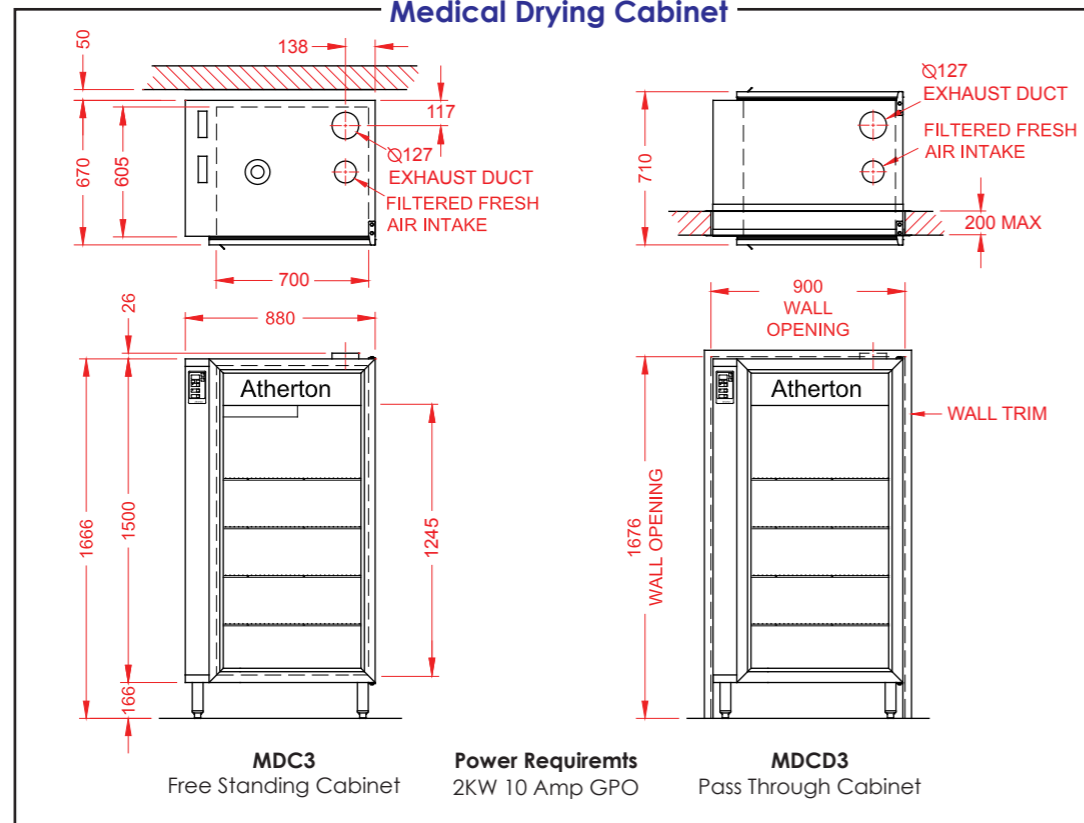
Head Office
364 Darebin Road,
Thornbury Vic 3071,
Australia.

Atherton

Medical Cabinets

- Adelaide
- Brisbane
- Melbourne
- Perth
- Sydney

Medical Drying Cabinet



Atherton

"Committed to quality since 1889"
Web: www.atherton.net

A.E. ATHERTON & SONS PTY. LTD. ACN 004 104 607 ABN 54 004 104 607



● Drying

● Warming

● Storage

Atherton designs and builds the highest quality Medical Cabinets for drying, warming and storage of medical equipment.

Each cabinet features fan forced heating for rapid and even heat distribution throughout the unit. We also install magnetic door gaskets and quality insulation to reduce energy wastage and heat loss into the room. Over temperature thermostats protects your equipment from damage. The drying cabinets will automatically stop drying after a specified period to reduce energy costs and extend the life of heat sensitive equipment. Atherton cabinets provide consistent and reliable performance due to high quality workmanship and construction materials. And for your peace of mind, we provide 24 hour, 7 days a week back up service. Our designs are smart, clean and modern with unique aesthetic appeal. Before any cabinet leaves our manufacturing facility, it's tested and checked to ensure it achieves the quality standards for reliability and construction demanded by our customers



SDC3
Surgical Drying Cabinet

Medical – The medical drying cabinet dries metalware, instruments, equipment and general items on four shelves. The medical drying cabinet is also available in a smaller sized version suitable for day surgeries and clinics. The cabinets are fitted with glass doors and are available in single or double door pass through configuration. Providing a temperature range between ambient temperature and 80°C, the cabinet allows staff to view the items drying without opening the door and causing heat loss.

MDC3
Medical Drying Cabinet



RDC3
Respiratory Drying Cabinet

Respiratory - An exceptionally versatile unit, Atherton's respiratory drying cabinet offers six half width shelves to hold face masks, general respiratory equipment or instruments. It also features 30 interchangeable nozzles for drying breathing bags, airway and other tubing.

CWC3
Combination Warming Cabinet

Combination Solution and Blanket Warming – Designed to store solutions and blankets, the combination solution and blanket warming cabinet provides a temperature range between 30° and 50°C in both the upper and lower sections. The upper compartment accommodates 40 one litre packs, while the lower section holds up to nine blankets.



BWC3
Blanket Warming Cabinet

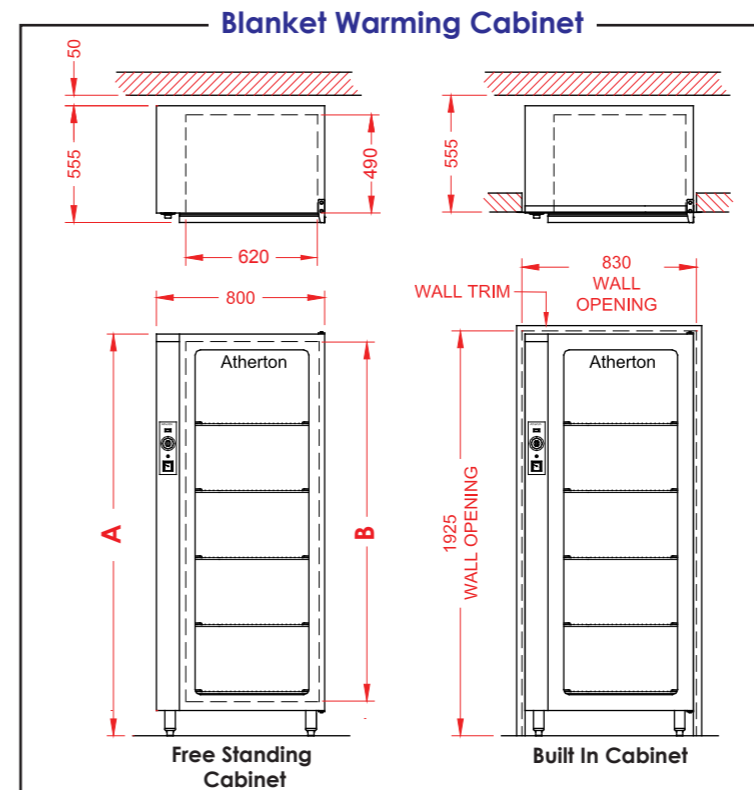
Blanket Warming – Providing warmed blankets for immediate use when required, the blanket warming cabinet is thermostat controlled between 30° and 50°C. It is available in 3 sizes: 6 blanket, 9 blanket and 15 blanket capacity.



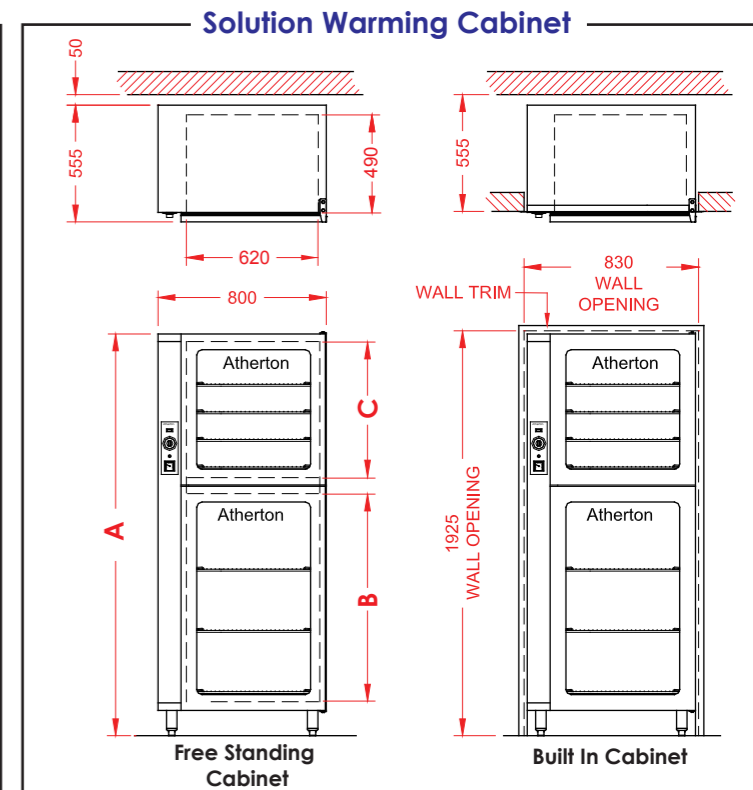
SWC3
Combination Warming Cabinet

Solution Storage and Warming – The solution storage warming cabinet stores solutions between a thermostat controlled range of 30°C and 50°C. The upper section accommodates up to 40 one litre heated packs while the lower section holds up to 80 one litre packs at room temperature.

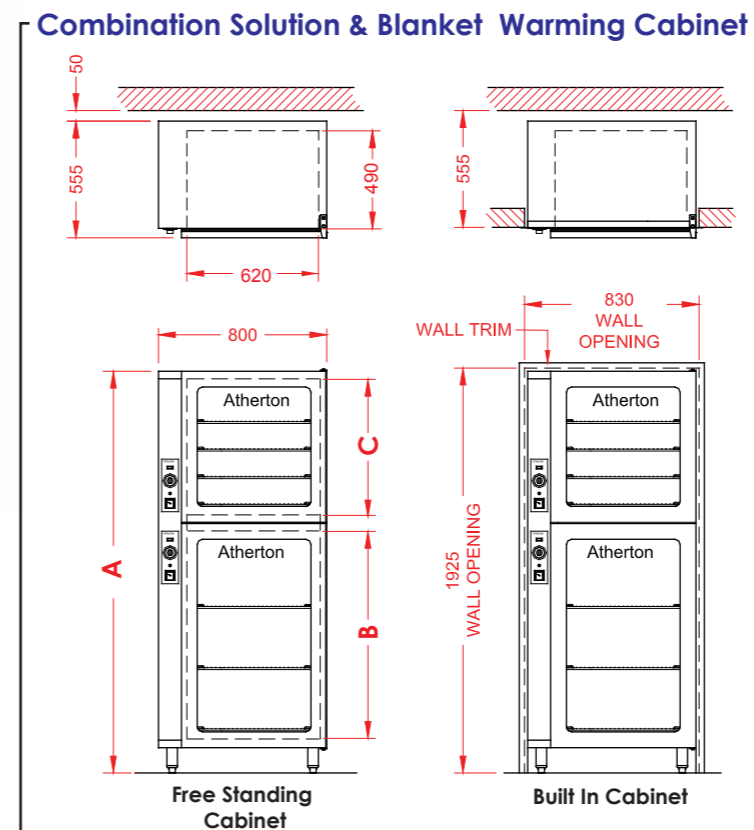
- TECHNICAL INFORMATION -



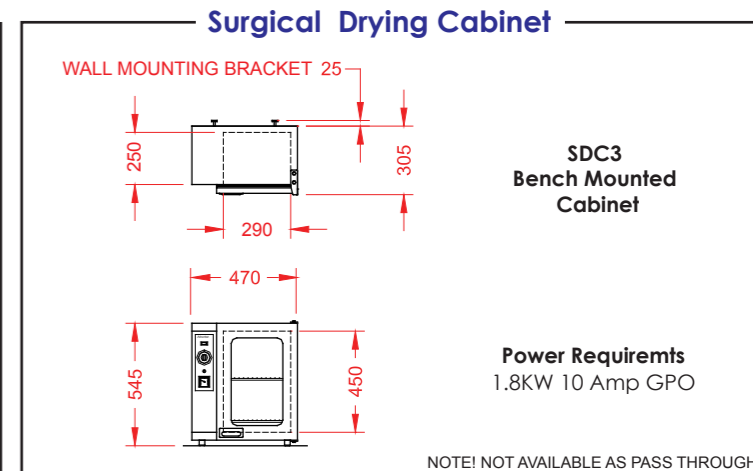
Capacity	Style	Cat No.	Dim A	Dim B	Power Requirements
15 Blankets	Free Standing	BWC3	1915	1720	1.8KW 10 Amp GPO
15 Blankets	Built In	BWC4	1915	1720	
9 Blankets	Free Standing	BWC5	1195	1000	
9 Blankets	Built In	BWC6	1195	1000	
6 Blankets	Free Standing	BWC7	745	650	
6 Blankets	Built In	BWC8	745	650	



Capacity	Style	Cat No.	Dim A	Dim B	Dim C	Power Requirements
40 Warming	Free Standing	SWC3	1915	1000	650	1.8KW 10 Amp GPO
80 Storage	Built In	SWC4	1915	1000	650	
40 Warming	Free Standing	SWC7	745	650	-	
40 Warming	Built In	SWC8	745	650	-	



Capacity	Style	Cat No.	Dim A	Dim B	Dim C	Power Requirements
9 Blankets	Free Standing	CWC3	1915	1000	650	3.6KW 2 x 10 Amp GPO OR 1 x 15 Amp D/GPO
40 Flasks	Built In	CWC4	1915	1000	650	



Installation options – Depending on size, Atherton cabinets can be built in, mounted on walls or free standing on floors or bench tops.

Notes

*All dimensions are in millimetres.

*Built in model enclosures require 15mm clearance on all sides and 50mm at rear.

*Continuing research and development make all specifications subject to change.