

BEDPAN AND BOTTLE RACKS



APPLICATION

For the storage of bed pan and urine bottles

CONSTRUCTION

All components are fabricated from 304 grade stainless steel with satin finish. Backing plates are 1.2mm thickness. Optional drip trays are also satin finished stainless steel, of 1.2mm thickness.

CONFIGURATIONS

All components may be ordered separately.

Minimum Capacity:

Bedpan - 3

Bottle - 4

Drip tray to suit

STANDARD SIZES

| BOTTLES | | PANS | |
|---------|------------|---------|------------|
| No. Off | O-all of A | No. Off | O-all of B |
| 3 | 330mm | 3 | 457mm |
| 4 | 457mm | 4 | 584mm |
| 5 | 584mm | 5 | 711mm |
| 6 | 711mm | 6 | 838mm |
| 7 | 838mm | 7 | 965mm |
| 8 | 965mm | 8 | 1092mm |
| 9 | 1092mm | 9 | 1219mm |
| 10 | 1219mm | 10 | 1346mm |
| 11 | 1346mm | 11 | 1473mm |
| 12 | 1473mm | 12 | 1600mm |

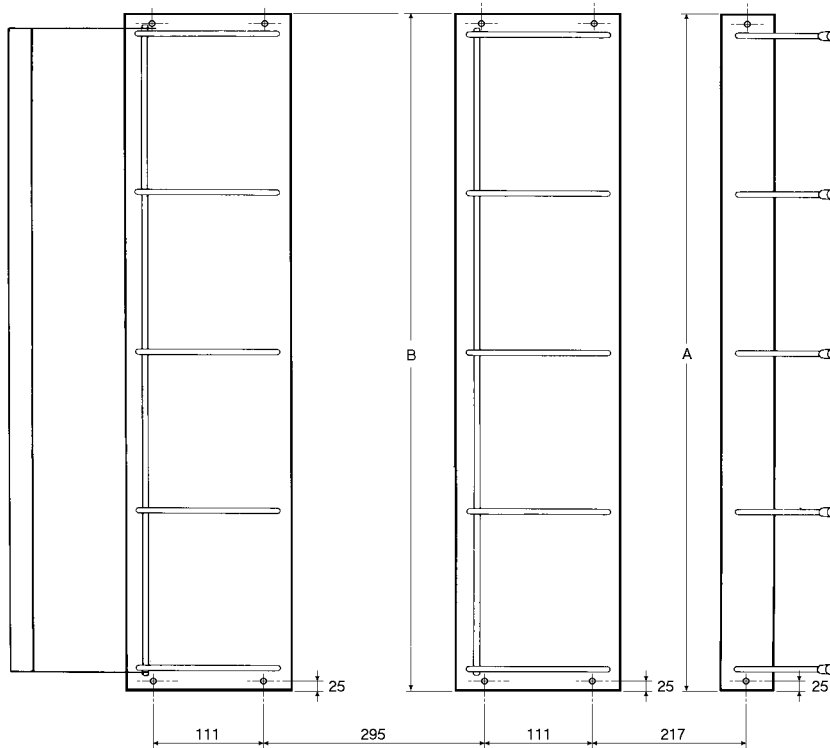
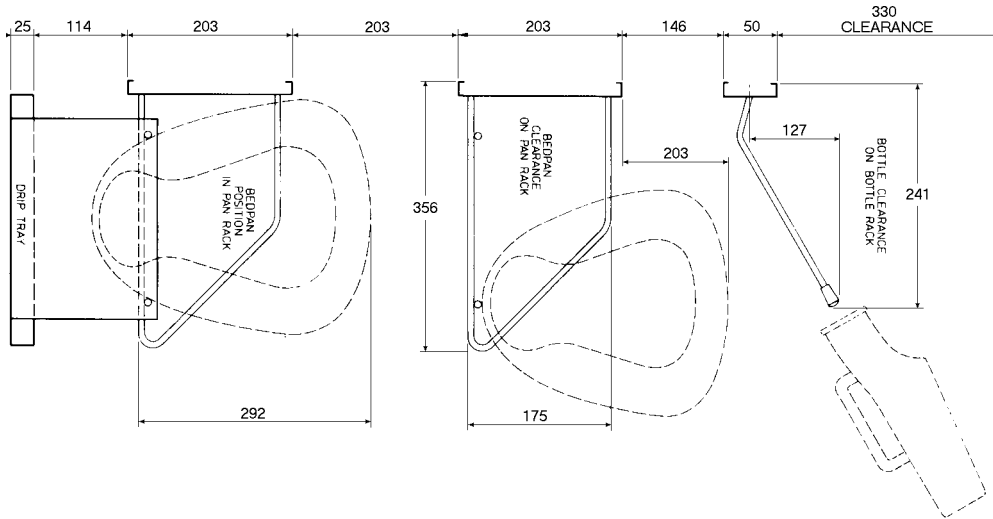
ADELAIDE
 54 ATHOL STREET,
 ATHOL PARK, SA, 5012
 TEL (08)8447 4000 FAX (08)8447 8253

MELBOURNE
 COMPANY HEAD OFFICE
 A.E. ATHERTON & SONS PTY. LTD.
 364 DAREBIN RD, THORNBURY,
 VICTORIA, 3071, AUSTRALIA
 ACN 004 104 607
 TEL (03)9497 2500 FAX (03)9497 1190
 www.atherton.aust.com
 Email: info@atherton.aust.com

BRISBANE
 66 RAYNHAM STREET,
 SALISBURY, QLD, 4107
 TEL (07)3277 1321 FAX(07)3875 1512

PERTH
 UNIT 3/1914 BEACH ROAD,
 MALAGA, WA, 6062
 TEL (08)9249 6166 FAX (08)9249 6353

SYDNEY
 23 LIDCO STREET,
 ARNELL PARK, NSW, 2148
 TEL (02)9679 8911 FAX (02)9679 8922



NOTE:

1. Services and building requirements to be supplied by client.
2. Wall opening to details above.

